

### PRODUCT SPECIFICATIONS

Halsey Taylor Mounting Frame for Single-station In-wall Refrigerated Bottle Filling Stations. Made of Galvanized Steel.

<b>Mounting Type:</b>	Wall Mount (Inwall Frame/Plate)
<b>Material:</b>	Galvanized Steel
<b>Finish:</b>	Galvanized Steel
<b>Shipping Weight:</b>	35 lbs.

**Special Note:** Mounting frame included with Halsey Taylor HTHB-OVLER-I & HTHBWF-OVLER-I models.

- Single-station mounting frame enables installation of in-wall drinking water models.
- Compatible with specific Halsey Taylor refrigerated models; see specifications tab for details.
- Mounting frame included with specific HydroBoost OVL-II models.
- Secures directly to a variety of load-bearing surfaces.
- Refer to end product for ADA compliance information.
- Built in the USA.

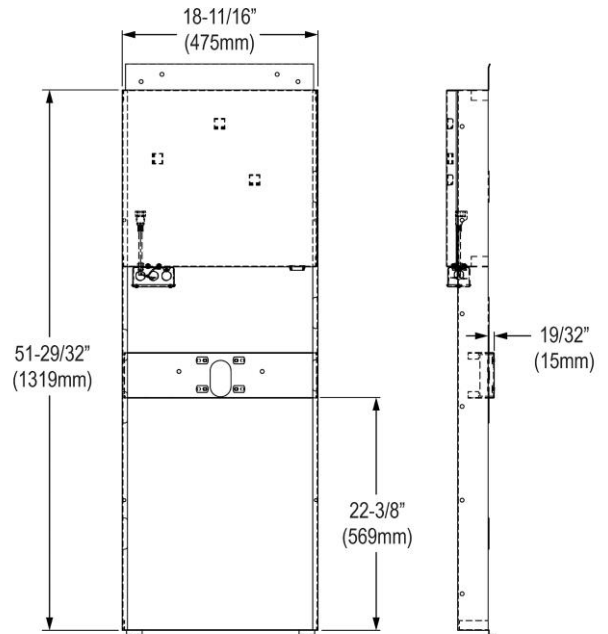


#### Included with Product: Mounting Frame Assembly

A Century of Tradition and Quality. For more than 100 years, Elkay has been making innovative products and providing exceptional customer care. We take pride in offering plumbing products that make life easier, inspire change and leave the world a better place.



[Installation Instructions \(PDF\) - 100001944](#)



PART: \_\_\_\_\_ QTY: \_\_\_\_\_

PROJECT: \_\_\_\_\_

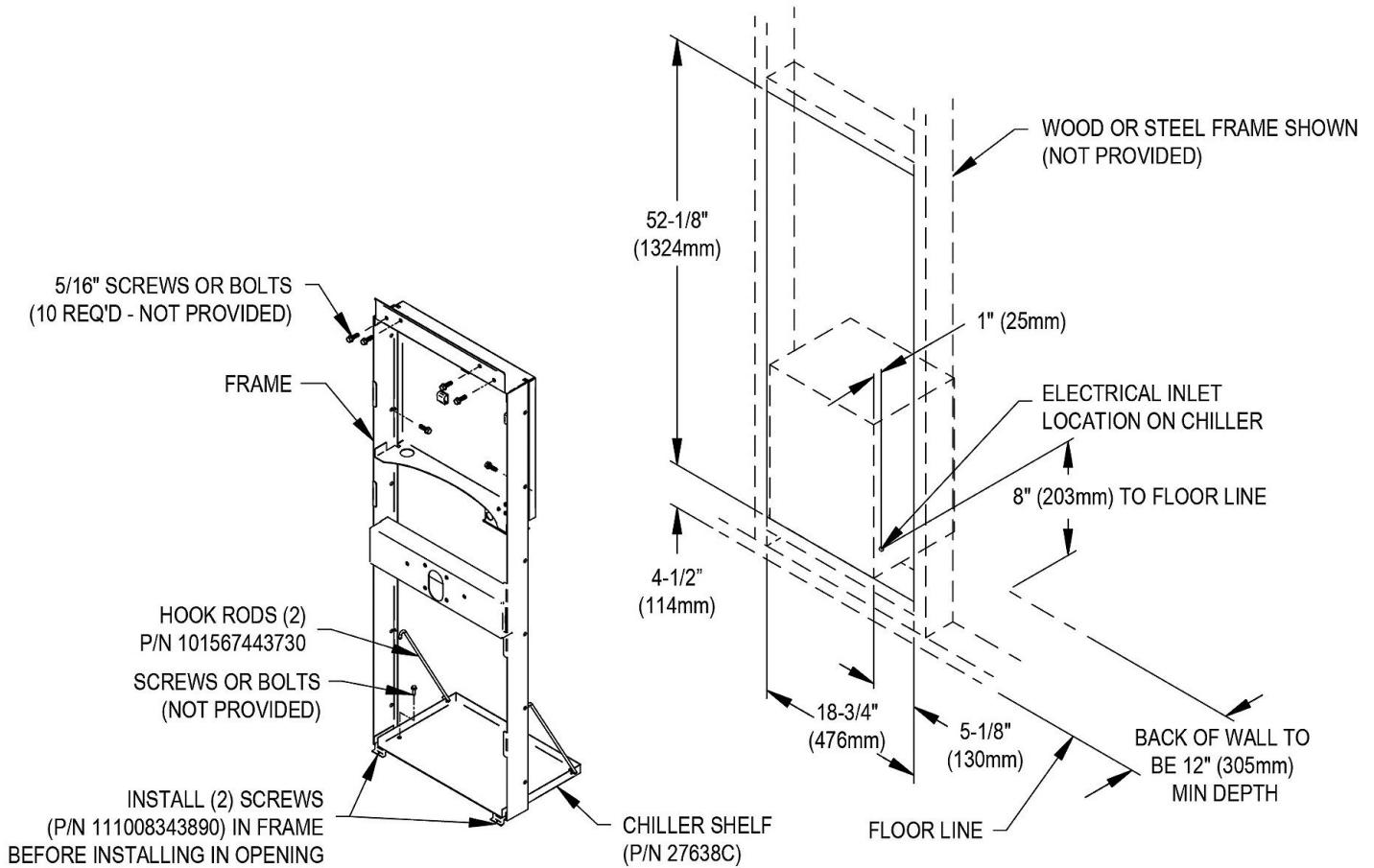
CONTACT: \_\_\_\_\_

DATE: \_\_\_\_\_

NOTES: \_\_\_\_\_

APPROVAL: \_\_\_\_\_

*In keeping with our policy of continuing product improvement, Elkay reserves the right to change product specifications without notice. Please visit [elkay.com](http://elkay.com) for the most current version of Elkay product specification sheets. This specification describes an Elkay product with design, quality, and functional benefits to the user. When making a comparison of other producers' offerings, be certain these features are not overlooked.*



*In keeping with our policy of continuing product improvement, Elkay reserves the right to change product specifications without notice. Please visit [elkay.com](http://elkay.com) for the most current version of Elkay product specification sheets. This specification describes an Elkay product with design, quality, and functional benefits to the user. When making a comparison of other producers' offerings, be certain these features are not overlooked.*